

# ROLLDEPUR RFC-20-FLOC

W T F

WATER TREATMENT &  
FILTERING TECHNOLOGY

OUR EXPERIENCE, YOUR RESULTS





# ROLLDEPUR RFC-20-FLOC



**ROLLDEPUR**  
**RFC-20-FLOC**





**ROLLDEPUR**  
**RFC-20-FLOC**

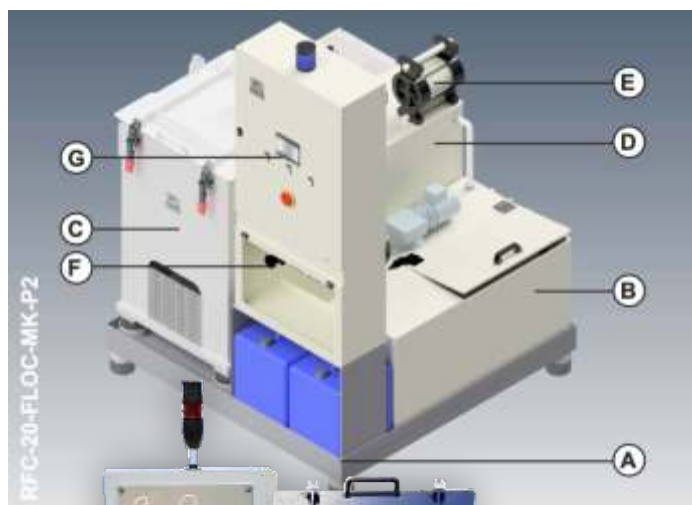


**ROLLDEPUR**  
**RFC-20-FLOC**





# ROLLDEPUR RFC-20/FLOC



RFC-20-FLOC-MK-P1



**RFC-20-FLOC is the most professional and complete version available of semi-automatic centrifugal filter;**

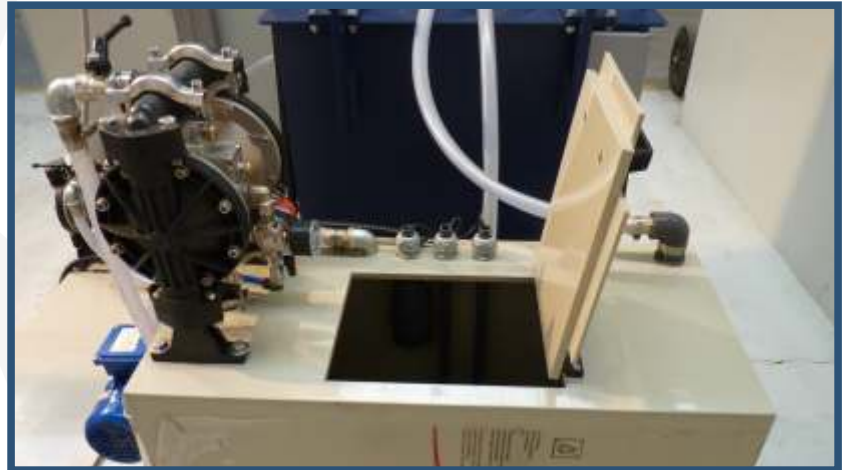
The centrifugal filter **Rolldapur RFC-20-FLOC** represents the state of the art of the standard filtering system to combine from 1 up to 5 finishing units (vibrators or similar type of finishing machines).

This series of machines is divided into several versions and includes, for example, in the scheme above reproduced:

(A) steel pallet to support the entire system; (B) receiving tank for wastewater in PP; (C) UF-20 filter unit with removable PU basket; (D) tank of filtered wastewater;

(E) pneumatic pump for the recycling of the filtered waste to the finishing unit 1 (example) or from 2 to 5 units (with additional valves - in other versions); through the control panel (G) the PLC knows when the finishing unit (s) is / are switched on / off (by a simple clean contact between the machine control panel and the centrifugal filter panel) - consequently the / the pneumatic valve (s) contained in the hydraulic cabinet (F) is / are activated / closed automatically.

# ROLLDEPUR RFC-20/FLOC



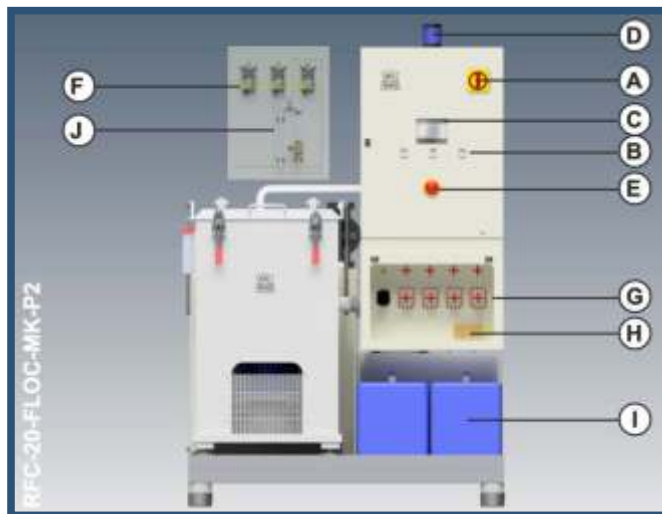
**RFC-20-FLOC is the most professional and complete version available of centrifugal filter;**

The centrifugal filter **Rolldepur RFC-20-FLOC** is the heart of a finishing system composed by 1 to 5 vibrators or similar finishing units. In the above diagram, for example, we can identify: (A) the reception connector where the waste water are conveyed (they can arrive by gravity or towards a pump - not included - optional - submerged into a well of the customer); (B) Stirrer to avoid sedimentation of the waste water; (C) pump to transfer effluents by the reception tank, to the rotary basket inside the filtering unit; (D) centrifugal filter UF20;

(F) pneumatic pump for the recycling of wastewater filtered to 1 (example) or from 2 to 5 vibrators or similar finishing units (in other versions, with dedicated pneumatic valves); (G) light signal at the end of the cycle (invites the operator to replace the basket);



# ROLLDEPUR RFC-20/FLOC



**RFC-20-FLOC is also available complete with premixing unit;**

The centrifugal filter **Rolldepur RFC-20-FLOC** is smart and has two mainboards, respectively: the electric control board, complete with frequency converter and PLC with Touch screen panel and, below, a hydraulic board, where dosing pumps and electrovalves are placed. 3) On the back of the electric control board is finally placed the dosing pump (and, where foreseen, the dosing station Mix Kem); (A) main switch; (B) PLC activation button, start/stop button and reset button; (C) touch screen panel; (D) end cycle lamp; (E) EMERGENCY push-button; (F) two metering pumps P2, one generally for the flocculant / coagulant compound, another for anti foam; (J) metering station MIX-KEM MK (G) pneumatic valve associated with the finishing machine connected; (H) solenoid valve area; (I) Positioning area of the chemical finishing and flocculation drums;



# ROLLDEPUR

## RFC-20/FLOC



Modelo Rolldepur	MIX-KEM-Z stazione di dosaggio	Pompa dos. 1	Pompa dos. 2	Polmone 1m3	EV1 std	EV2	EV3	EV4	EV5	Pompa est. Pozzo	Quadro elettrico standard.	Quadro Siemens
Rolldepur Model	Mix-Kem-Z Dosing Station	Dosing pump 1	Dosing pump 2	Buffer tank 1m3	EV1 std	EV2	EV3	EV4	EV5	Well external pump	Std. El. Panel	Siemens El. Panel
RFC-20-FLOC-P1	-	OK	-	-	OK	-	-	-	-	-	OK	
RFC-20-FLOC-P1-E2	-	OK	-	-	OK	OK	-	-	-	-	OK	
RFC-20-FLOC-P1-E3	-	OK	-	-	OK	OK	OK	-	-	-	OK	
RFC-20-FLOC-P1-E4	-	OK	-	-	OK	OK	OK	OK	-	-	OK	
RFC-20-FLOC-P1-E5	-	OK	-	-	OK	OK	OK	OK	OK	-	OK	
RFC-20-FLOC-P2	-	-	OK	-	OK	-	-	-	-	-	OK	
RFC-20-FLOC-P2-E2	-	-	OK	-	OK	OK	-	-	-	-	OK	
RFC-20-FLOC-P2-E3	-	-	OK	-	OK	OK	OK	-	-	-	OK	
RFC-20-FLOC-P2-E4	-	-	OK	-	OK	OK	OK	OK	-	-	OK	
RFC-20-FLOC-P2-E5	-	-	OK	-	OK	OK	OK	OK	OK	-	OK	
RFC-20-FLOC-MK-P1	OK	OK	-	-	OK	-	-	-	-	-	OK	
RFC-20-FLOC-MK-P1-E2	OK	OK	-	-	OK	OK	-	-	-	-	OK	
RFC-20-FLOC-MK-P1-E3	OK	OK	-	-	OK	OK	OK	-	-	-	OK	
RFC-20-FLOC-MK-P1-E4	OK	OK	-	-	OK	OK	OK	OK	-	-	OK	
RFC-20-FLOC-MK-P1-E5	OK	OK	-	-	OK	OK	OK	OK	OK	-	OK	
RFC-20-FLOC-MK-P2	OK	-	OK	-	OK	-	-	-	-	-	OK	
RFC-20-FLOC-MK-P2-E2	OK	-	OK	-	OK	OK	-	-	-	-	OK	
RFC-20-FLOC-MK-P2-E3	OK	-	OK	-	OK	OK	OK	-	-	-	OK	
RFC-20-FLOC-MK-P2-E4	OK	-	OK	-	OK	OK	OK	OK	-	-	OK	
RFC-20-FLOC-MK-P2-E5	OK	-	OK	-	OK	OK	OK	OK	OK	-	OK	
Appendice sigla – Final letters -WEP										OK		
Appendice sigla – Final letters: -SP				OK								
Appendice sigla – Final letters: -SM											-	OK



**RFC-20-FLOC is the most professional and complete version available of centrifugal filter - here below is resumed the complete range;**

The centrifugal filter **Rolldepur RFC-20-FLOC** is designed to satisfy the most possible needs of water treatment and, accordingly, it is offered in several possible configuration, taking into consideration the variables as shown in the above map.



# ROLLDEPUR RFC-20/FLOC

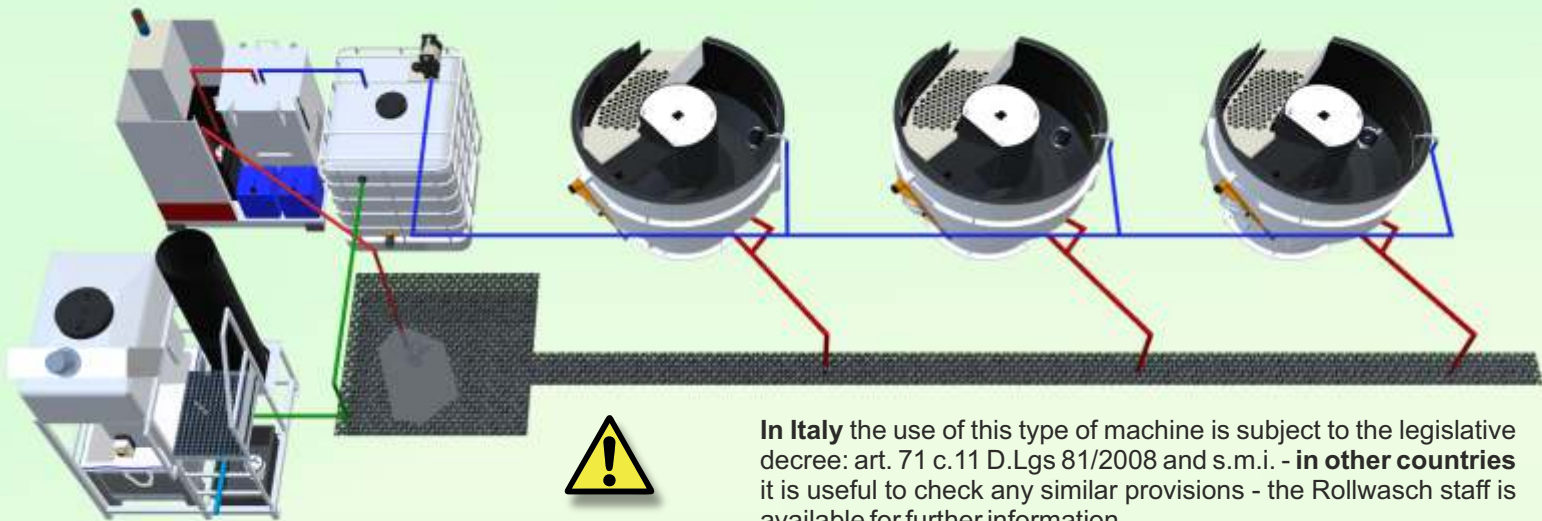


**RFC-20-FLOC a project perfected in practicality of use and safety;**

The centrifugal filter **Rolldepur RFC-20-FLOC** is a project perfected to offer greater convenience and simplicity in ordinary maintenance. The adoption of a pre-settling cylinder [A], allows to keep even the small accumulations of residual micro-particles. Maintenance is simplified to extract the cylinder and clean it out of the tank, simple and ergonomic operation. The MK versions [B] flank the Mix-Kem [MK] station to the flocculant pump [P1] to get everything under control and easy to access.

In addition to the vibration sensor, safety is also ensured with the opening sensor of the reception tank [C] and the filter cover [D].

# ROLLDEPUR RFC-20/FLOC



# -10%

**Example of integration of a DBS in system for centrifugal filtration RFC, which releases 10% of wastewater filtered every day.**

The centrifugal filtration, suitably completed with a chemical physical system **DBS** or **DBS-K2**, may recirculate daily, for example, 90% of wastewater, releasing, to overflow, a 10% per day of wastewater filtered, targeting it to the chemical physical treatment before final discharge.

If this application would be possible (in relation to the types of pollutants) and compatible with the local laws in relation to the accepted limits for the discharge, the user can renew 100% of its waste water every 10 days. Obviously the same example also applies to 5% or other percentages based on specific needs.



VIA SAN CARLO, 21  
20847 ALBIATE (MB) - ITALIA



TEL. +39 0362 930334  
FAX. +39 0362 931440  
E-MAIL [INFO@ROLLWASCH.IT](mailto:INFO@ROLLWASCH.IT)



[WWW.ROLLWASCH.COM](http://WWW.ROLLWASCH.COM)  
PERFECT SURFACES SINCE 1950

OUR EXPERIENCE, YOUR RESULTS

